

LINE KEY ACTION CONVERSION

The line 4 or line 5 pick-up key can be converted into a single-make, normally-open, pushbutton for use as a signaling key or for other functions requiring a contact closing operation. Also, two or more keys can be converted for a conferencing function. To make the desired conversion, proceed as detailed below and as illustrated in Figures 1 and 2.

- Lift the center of the faceplate up, and snap it free of the housing to expose the housing retaining hardware.
- Loosen the retaining hardware, and lift the housing away to expose the key switch.
- Turn the assembly over, and remove the two screws which attach the base to the keystrip brackets. Move the base away to expose the printed wiring board (PWB).
- Refer to the proper subheading below and complete the conversion.
- Replace the base and the housing and secure the hardware when finished. Replace the faceplate on the housing.

Signal Key or Other Switching Function

- Locate the line pick-up key to be converted, and remove the locking screw from it. See Figure 1.
- To convert line 4, reposition the P2 function strip from terminal EF to terminal FG. To convert line 5, reposition the P2 function strip from terminal HJ to terminal JK. Refer to Figure 2 for an illustration of the PWB layout.

The connection points for the switch contacts are available at the KSU or at an intermediate connection block. They are identified as follows:

LINE KEY	CONTACT ONE		CONTACT TWO	
	WIRE COLOR	CABLE PLUG PIN NO.	WIRE COLOR	CABLE PLUG PIN NO.
Line 4	BK-BL	36	BR-Y	19
Line 5	BK-BR	39	BR-Y	19

Conferencing

Conferencing between two or more lines is accomplished by operating the line pick-up key of those lines simultaneously. To enable the conferencing feature, do the following steps:

- Remove the locking screw from the shaft of each key button to be conferenced, and replace it with a special conference screw (part number 703503-843). Three conferencing screws are included with this keystrip assembly.
- The following limitation to this conferencing method must be noted:
 - If the line is subject to tip and ring reversals, a polarity guard must be inserted in the line.
 - Conferencing with the intercom line may require that an add-on transformer coupling device, such as a 417 conference KTU circuit board, be added to the 1A2 key system.
 - Automatic key restoration is not available. Manually restore at least one line pick-up key, of the conferenced lines, to the up position after the conference call is complete.

SIGNALING BUZZER

An 8-24 volt buzzer is mounted inside the keystrip housing and connected to the PWB. Set the sound level of the buzzer with an adjustment screw. Remove the housing from the keystrip to gain access to the adjustment screw. Replace the housing after adjustment and before putting the keystrip into normal operation.

BUSY LAMP WIRING

A Busy Station Number Display (BSND) or Busy Lamp Field (BLF) assembly is used in some systems to give a visual indication of which telephone lines are busy. When such a device is used, the VE-41 keystrip must be modified with a diode assembly. The type of assembly employed is dependent upon the voltage requirements of the BSND or BLF assembly. Wiring for a busy station number display is as follows:

- 24 VDC Lamps and Supply: Move the orange lead from terminal S2 to terminal S1 on the PWB, and add diode 202852-138 between S1 (anode) and S2 (cathode).
- 10 volt Lamps with 8 VAC Supply: Remove the orange lead from terminal S2 on the PWB, and add diode assembly 206286-451 between PWB terminal S1 (cathode 1) and PWB terminal S2 (cathode 2). Connect the orange lead to the diode common anode termination AG.

RELATED PUBLICATIONS

Service and adjustment procedures relating to multiline keystrips are available in a separate publication (publication number IMI 89-962).

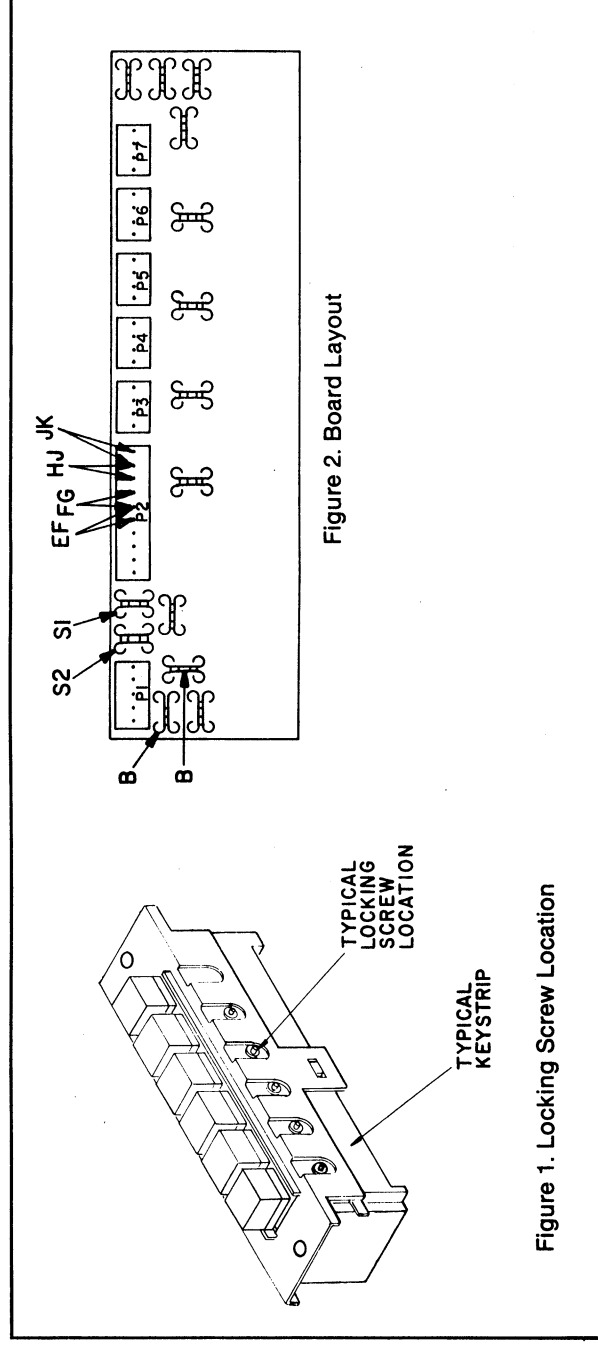


Figure 1. Locking Screw Location

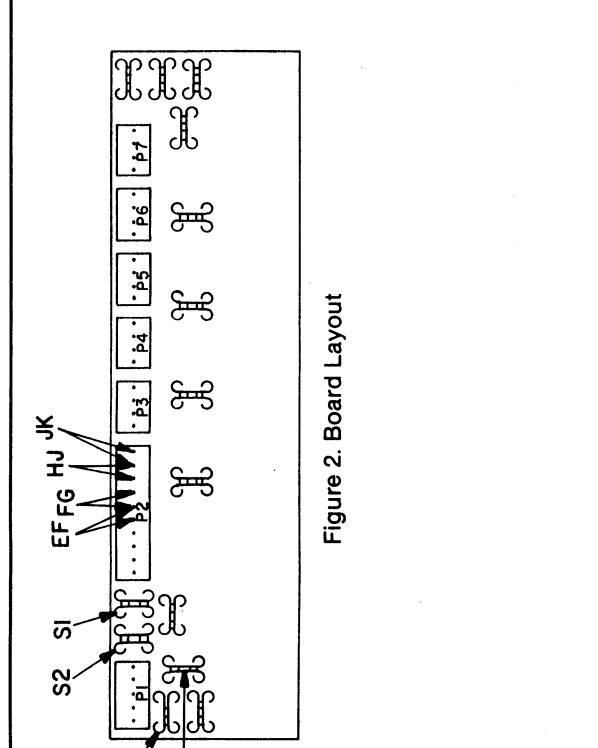


Figure 2. Board Layout



Modular Six-Button Keystrip Voice Express™ 41 Installation Instructions

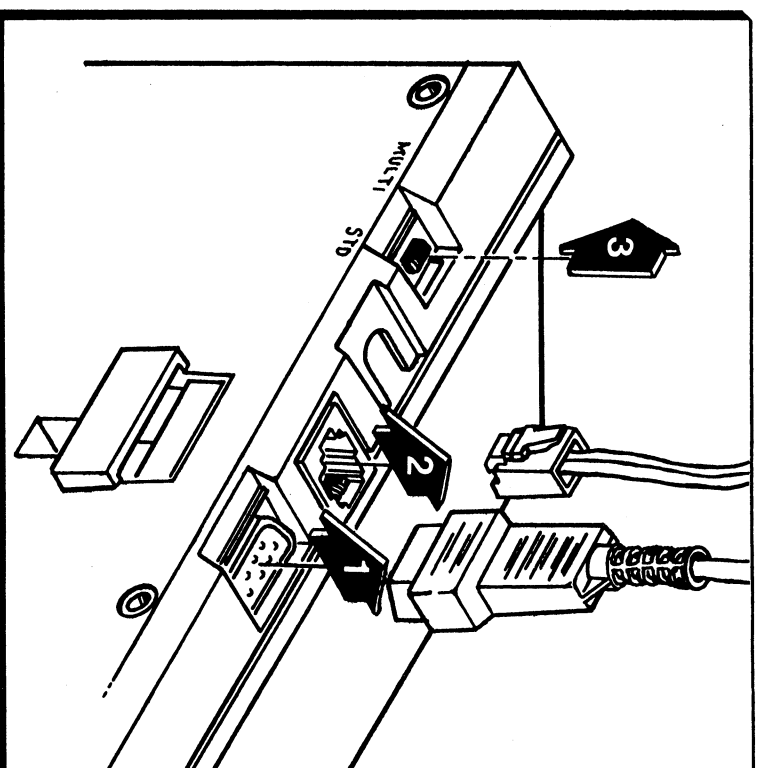
COMDIAL

Made right in the USA

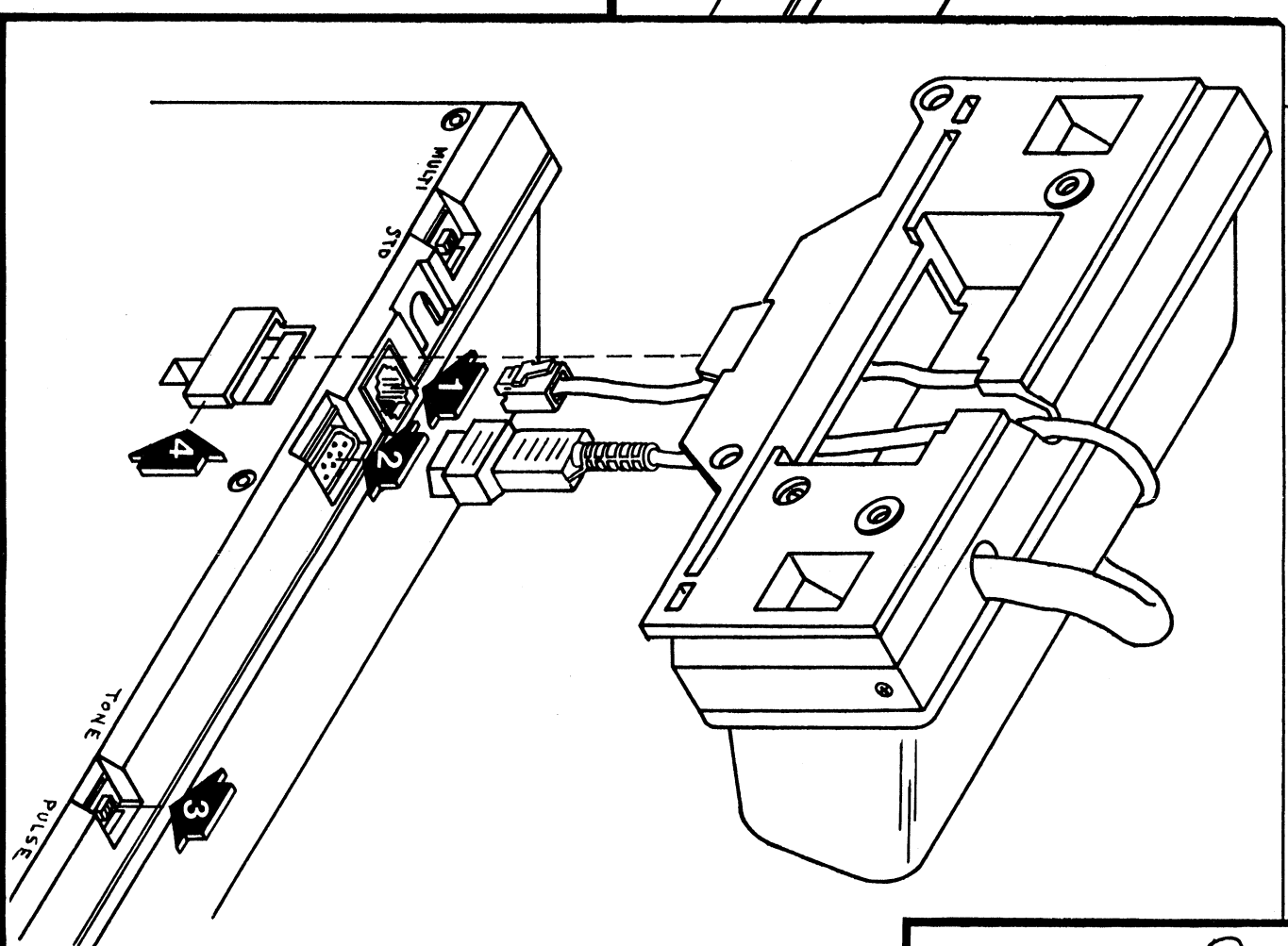
This manual has been developed by Comdial Corporation (the "Company") and is intended for the use of its customers and service personnel. The information in this manual is subject to change without notice. While every effort has been made to eliminate errors, the Company disclaims liability for any difficulties arising from the interpretation of the information contained herein. The information contained herein does not purport to cover all details or variations in equipment nor to provide for every possible contingency to be met in connection with installation, operation, or maintenance. Should further information be desired, or should particular problems arise which are not covered sufficiently for the purchaser's purposes, contact Comdial, Customer Service Department, Charlottesville, Virginia 22906.

Convert the Voice Express electronic speakerphone and auto dialer from single line operation to 1A2 key system compatible, multiline, operation with the addition of this modular six-button keystrip. The keystrip is designed and built to match the construction of the Voice Express. Conversion of the Voice Express for key system, multiline use consists of snapping on the keystrip, plugging in the multiline connector, and moving a switch actuator. Perform the installation procedures detailed and illustrated in the following steps.

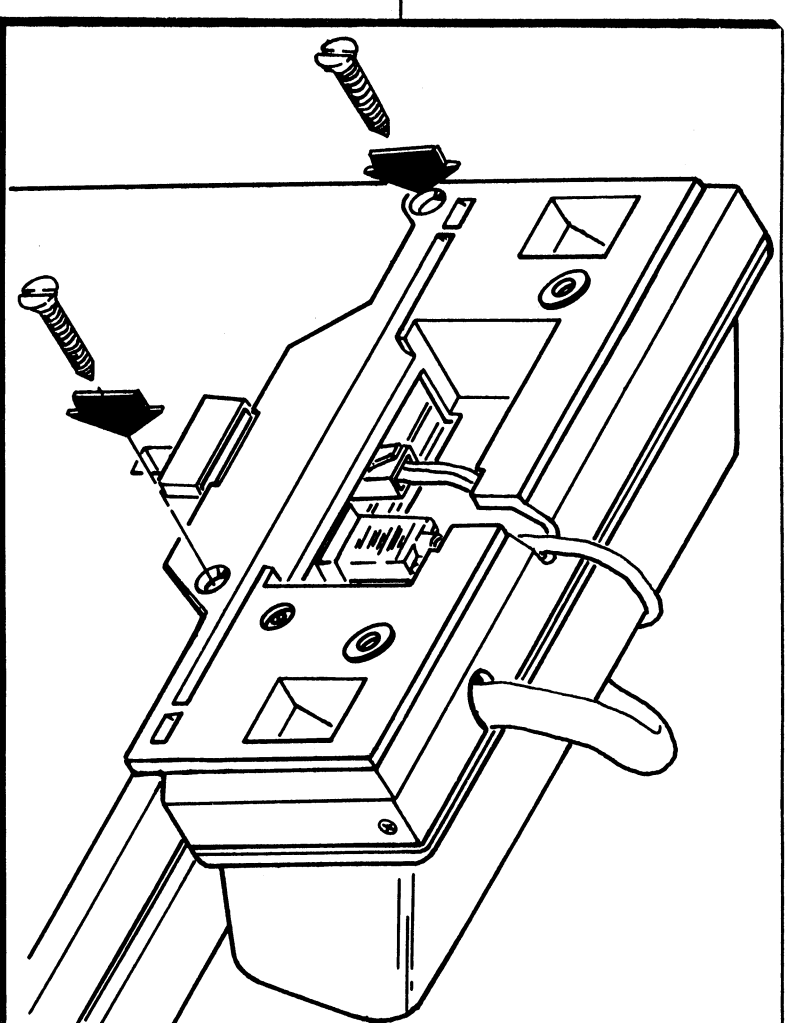
The keystrip has an attached label with an FCC registration number printed on it. This is the new registration number of the keystrip and the Voice Express together. Once the keystrip has been installed on the Voice Express, use a black marking tool to mark out the old FCC registration number found on the label attached to the Voice Express base.



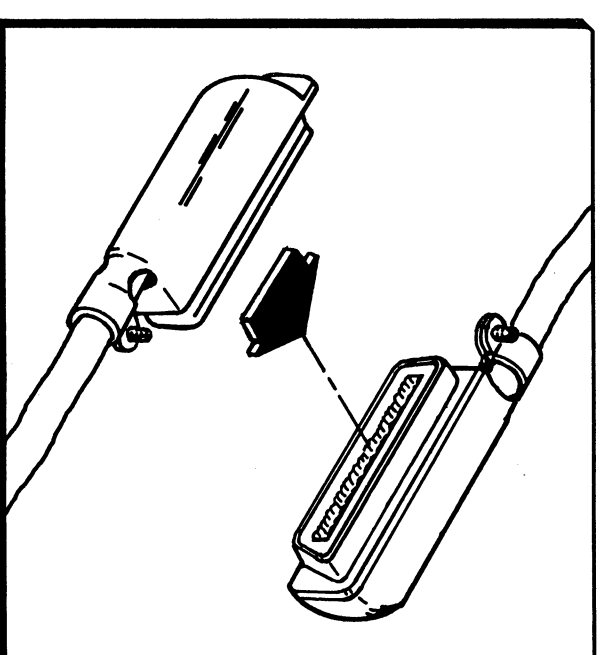
A (1) Disconnect the power transformer from the AC wall outlet and from the Voice Express. (2) Disconnect the modular line cord. (3) Place the MULTI switch to the MULTI position.



B (1) Plug the telephone line cord from the keystrip into the Voice Express. (2) Route the cord from the transformer through the keystrip as shown, and plug the power cord into the Voice Express. (3) Set the PULSE/TONE switch to the setting which matches the dialing mode of the system. Set it to PULSE for rotary dial systems, and set it to TONE for tone dial (DTMF) systems. (4) Snap the keystrip into place by inserting the tab into the slot on the Voice Express.



C Install two screws (provided) as shown to hold the keystrip in place.



D Plug the keystrip multiline connector into an appropriate wall jack, extension cable, or KSU connection. Reconnect the power transformer to the AC wall outlet.